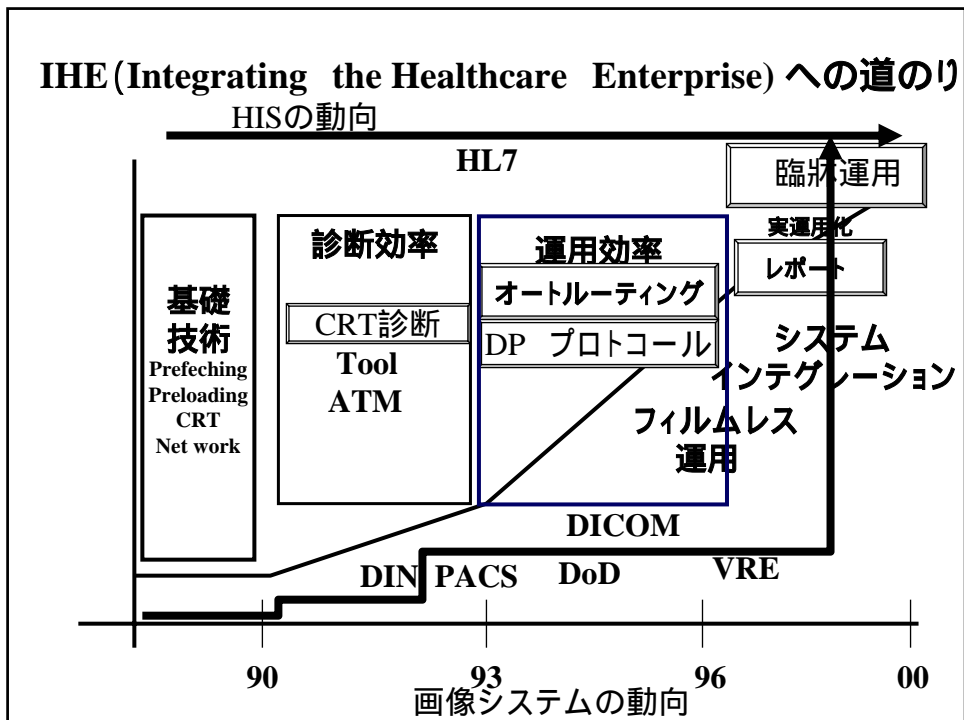
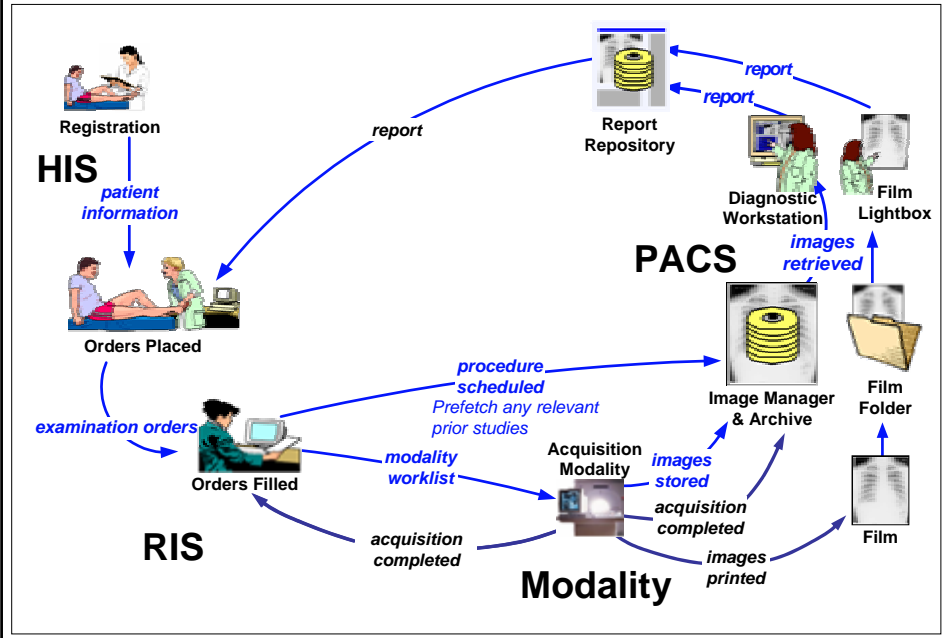


世界の動向

アリゾナ大学
岡崎宣夫



Example: Scheduled Workflow Profile



Mayo Jacksonville



IHE Radiology Integration Profiles

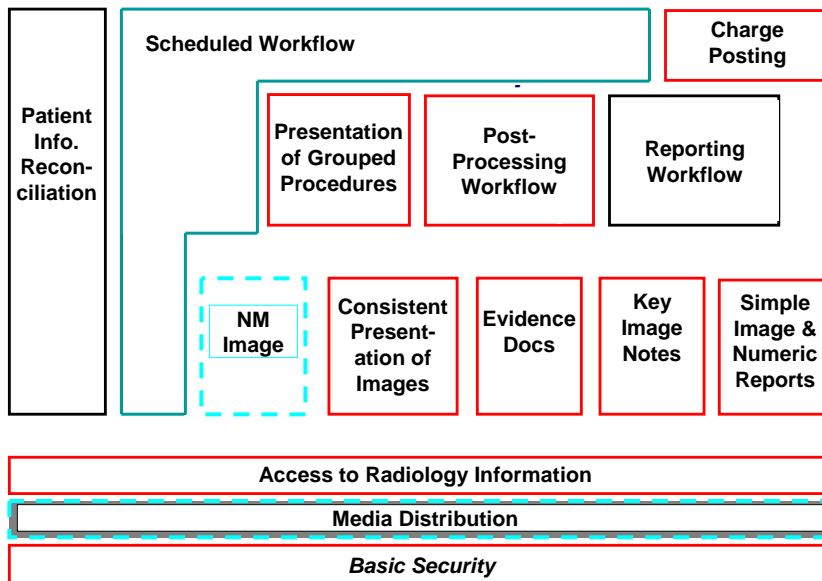
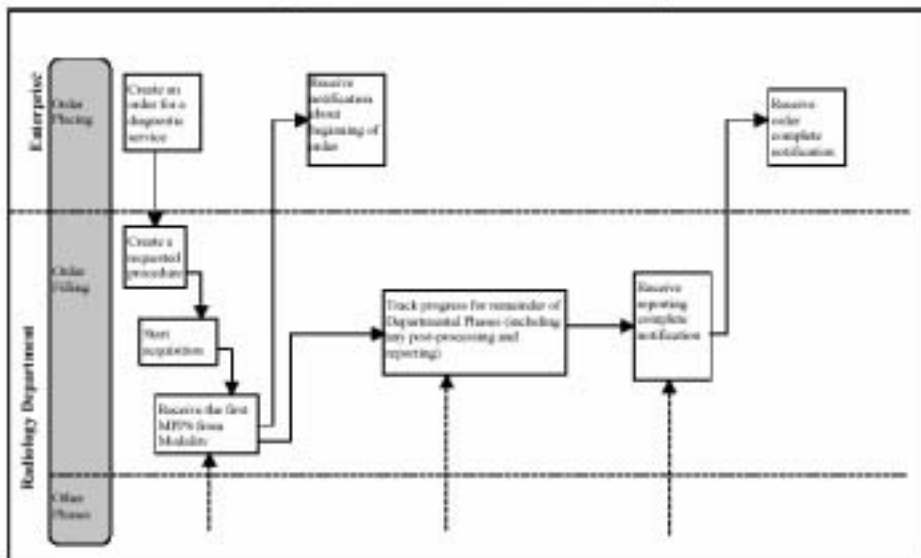
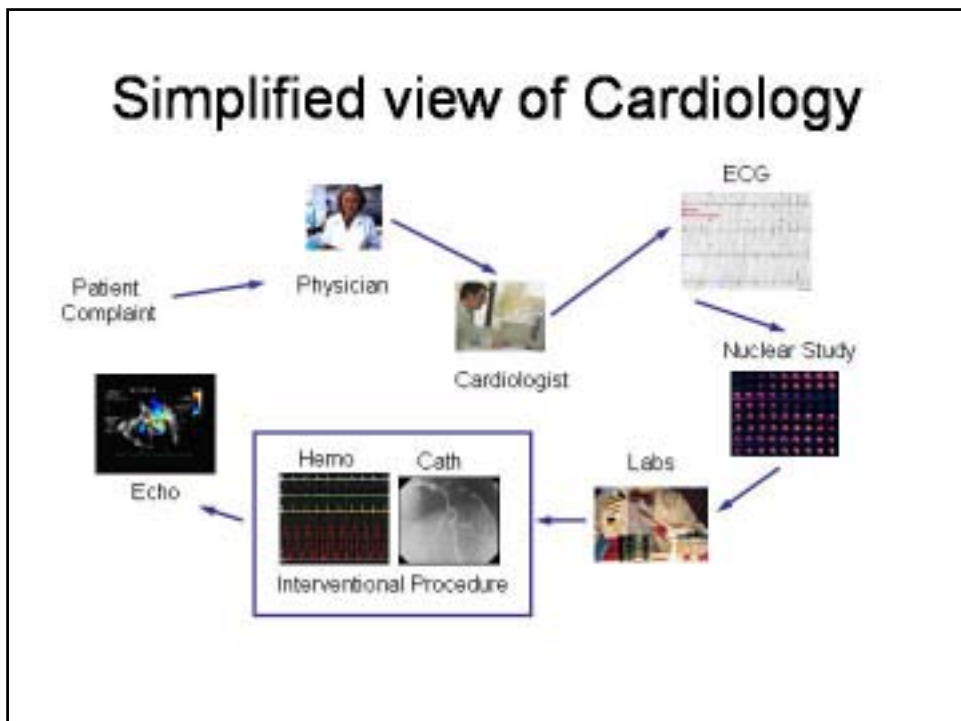
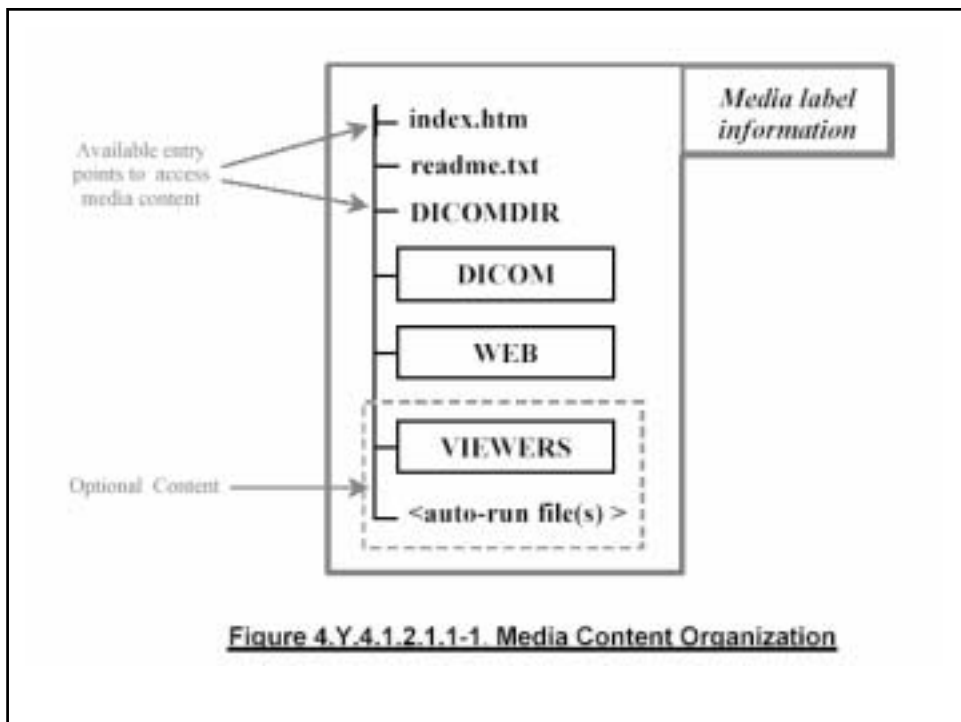
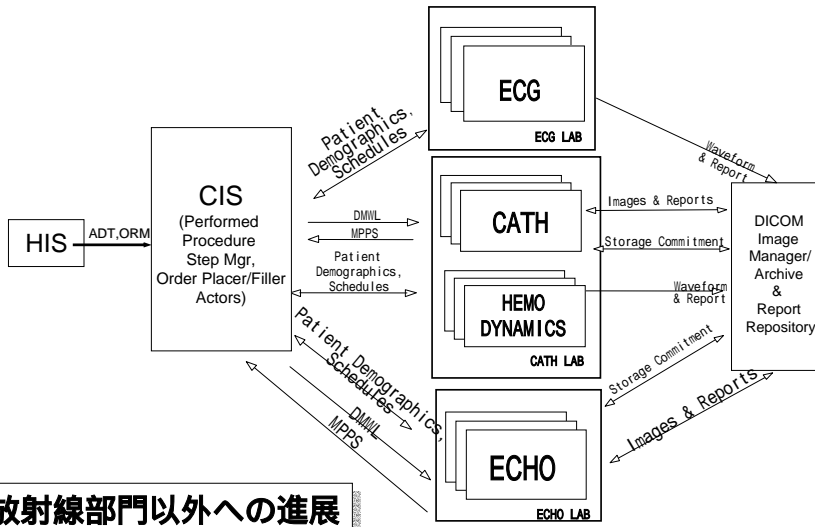


Figure 7: Status Notification to Order Placing



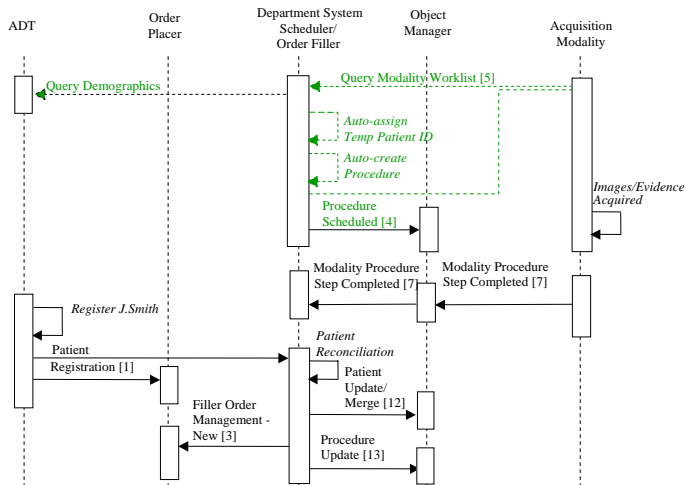


Scheduled Workflow in Cardiology

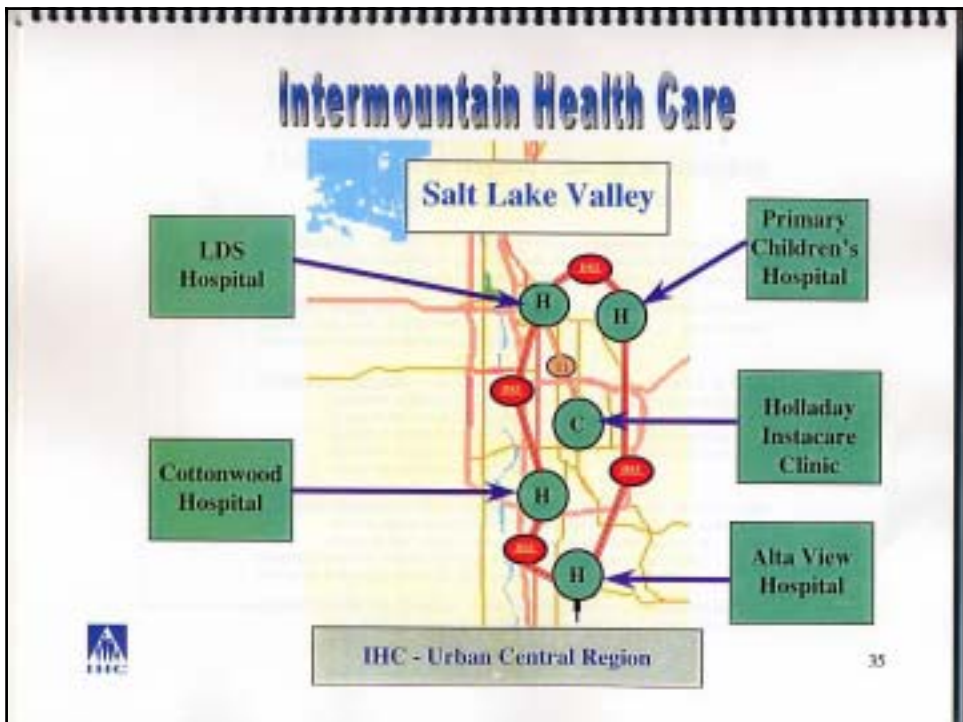


放射線部門以外への進展

Case 4: Patient Not Registered at ADT
(also Case 4A: ADT Not Available at DSS/OF and Patient ID not Available at Modality)

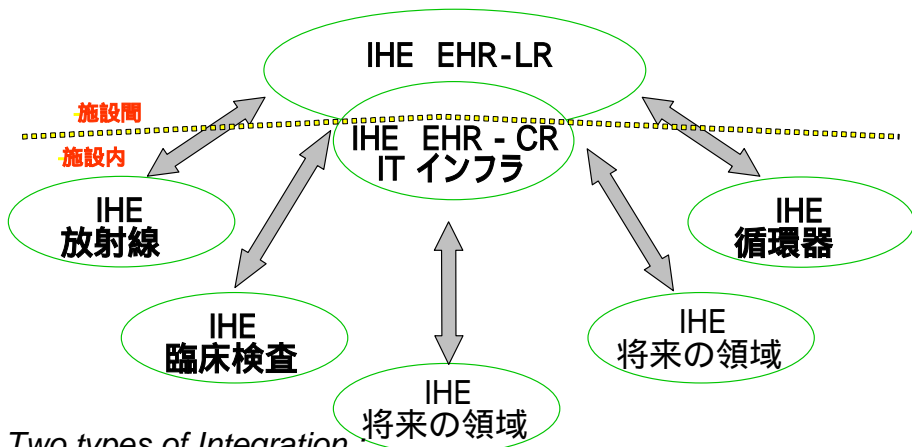


Case 4A: Skip Auto-assign Temp Patient ID; Skip Patient Reconciliation





IHE の拡張状況

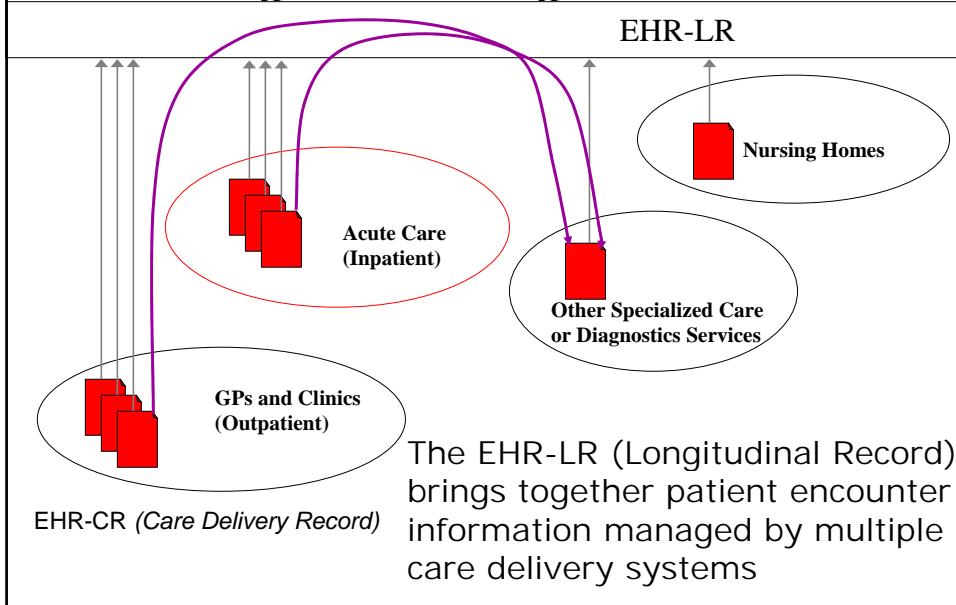


Two types of Integration :

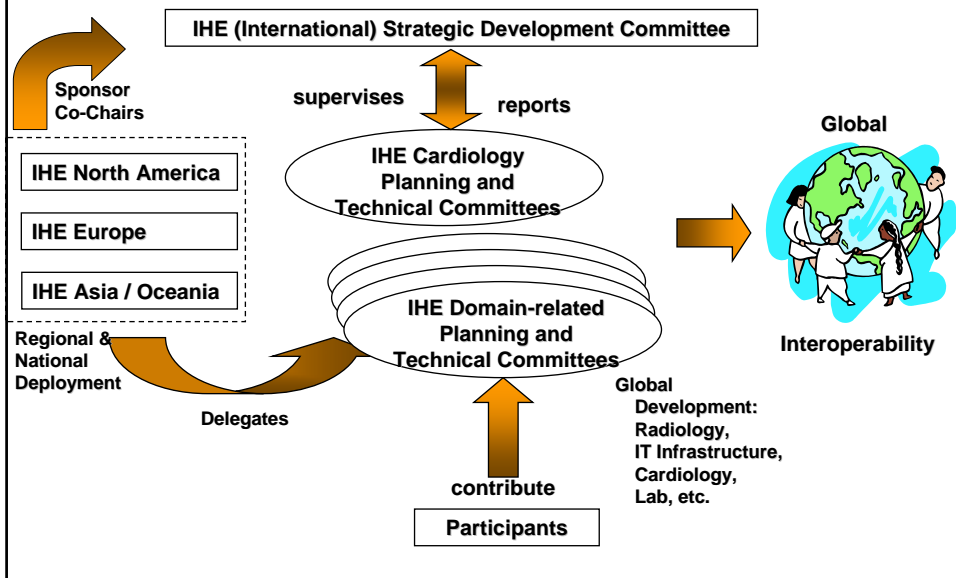
EHR-CR: Health Record as used **during care delivery**

EHR-LR: Health Record as used **across-encounters**

EHR-LR Integration Profiles: Publishing & Accessing the EHR-LR



IHE Organizational Structure Multi-Domain & Multi-National



Scope of National IHE Initiatives North America – Europe – Asia

- **International – Global Technical Framework**
 - Define Integration Solutions and Optimize Workflow (Integration Profiles)
 - Define the Actors and Transactions for the Integration Profiles
- **National Healthcare Specializations**
 - Define specific information for the National Healthcare System:
Policies, Practices and Information in Native Languages
- **Developing Testing and Simulation Tools: MESA**
 - Peer-to-Peer Testing based on the Global & National Framework
- **Connectathon – Multi Vendor Testing:**
 - Testing Integration Solution based on the Global & National Framework
- **Demonstrations, Education and Success Stories in each country**

National IHE Extensions Technical Framework – Volume IV

- **Process for Developing National Extensions**
- **Scope of National Extensions in IHE Radiology:**
 - **Character Set for National Languages**
 - **Translations of IHE Concepts and Data Fields into National Languages**
 - **Extension of Patient and Provider Information According to National Policies (Privacy, Confidentiality, ...)**
 - **Financial Information and Transactions for the Specific National Health Reimbursement System**
 - **Clinical Workflow Optimization and Information Access to Support the National Care Practices and Policies**

Testing & Verification by National IHE Initiatives

- **IHE North America**
Connectathon – October 2003
 - 35 vendors
 - 15 countries
- **IHE Europe**
Connectathon – March 2003
 - 44 vendors
 - 9 countries
- **IHE Japan**
Connectathon for Asia & Oceania – February 2004
20 vendors 33 systems

International IHE Initiatives

- **IHE North America**
- **IHE Europe**
 - IHE-F France
 - IHE-D Germany
 - IHE-I Italy
 - IHE-UK United Kingdom
 - *IHE-N Norway (Starting)*
 - *IHE-DK Denmark (Considers Participation)*
 - *IHE-S Sweden (Considers Participation) etc 16*
- **IHE Asia / Oceania**
 - IHE-J Japan
 - IHE-PRC China
 - IHE-KR Korea






INFO-CORNER 2004	
Dates	Events
Congresses in 2004 with possible IHE-Demonstrations	
2004-05-07 - 11	SIRM 2004 Palermo, Italy <i>demonstration</i>
2004-05-19 - 22	DRK 2004 Wiesbaden, Germany <i>demonstration</i>
2004-05-25 - 28	Hopital Expo 2004, Paris, France <i>possible demonstration</i>
2004-06-23 - 25	ITeG 2004 Frankfurt, Germany <i>presentation</i>
2004-10-06 - 08	JFR 2004 Paris, France <i>possible demonstration</i>
2004-11-24 - 27	Medica 2004, Dusseldorf, Germany <i>no demonstration</i>
Cardiology Congresses involving IHE	
2004-08-31	ESC-Congregation, Munich CC First IHE-Cardiology Europe Meeting

European National IHE-Activities


Austria


Belgium


Denmark


Finland


France


Germany


Greece


Ireland


Italy


Luxembourg


Norway


Portugal


Spain


Sweden


The Netherlands


United Kingdom



The END

